

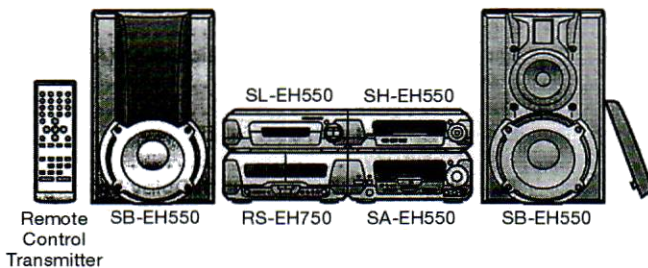
# Service Manual

Speaker System

## SB-EH550

Hi-Fi Speaker System

(S) . . . . . Silver Type



### ■ SPECIFICATIONS

<b>Type</b>	3 way, 3 speaker system
<b>Speaker</b>	Woofers: 14 cm cone type Mid range: 12 cm cone type Tweeter: 6 cm cone type
<b>Impedance</b>	6 Ω
<b>Input power</b>	70 W (MUSIC)
<b>Output sound pressure level</b>	84dB/W (1.0 m)
<b>Cross over frequency</b>	200 Hz, 4kHz
<b>Frequency range</b>	46Hz - 22kHz (-16 dB) 50Hz - 20kHz (-10 dB)
<b>Dimensions (W x H x D)</b>	254 x 416 x 246 mm
<b>Weight</b>	5,6 kg

#### Notes :

Specifications are subject to change without notice.  
Weight and dimensions are approximate.

### ■ ESPECIFICACIONES

<b>Tipo</b>	Sistema con 3 vías, 3 altavoces
<b>Altavoces</b>	Graves: 14 cm tipo cónico Medios: 12 cm tipo cónico Agudos: 6 cm tipo cónico
<b>Impedancia</b>	6 Ω
<b>Capacidad de potencia</b>	70W (Músicales)
<b>Nivel de presión acústica de salida</b>	84 dB/W (1.0 m)
<b>Frecuencia de cruce</b>	200 Hz, 4 kHz
<b>Respuesta de frecuencias</b>	46Hz - 22kHz (-16 dB) 50Hz - 20kHz (-10 dB)
<b>Dimensiones (W x H x D)</b>	254 x 416 x 278 mm
<b>Peso</b>	5,6 kg

#### Nota:

Estas especificaciones están sujetas a cualquier cambio.  
Peso y dimensiones son aproximados.

### ■ SPECIFICATIONS

<b>Type</b>	3-voies, 3-haut-parleurs
<b>Haut-parleurs</b>	Graves: 14 cm type a cone Moyennes: 12 cm type a cone Aguis: 6 cm type a cone
<b>Impédance</b>	6 Ω
<b>Entrée maximale</b>	70 W (Musique)
<b>Niveau de pression sonore de sortie</b>	84 dB/W (1.0 m)
<b>Fréquence de comutation</b>	200 Hz, 4 kHz
<b>Gamme de fréquences</b>	46Hz - 22kHz (-16 dB) 50Hz - 20kHz (-10 dB)
<b>Dimensions (W x H x D)</b>	254 x 416 x 246 mm
<b>Poids</b>	5,6 kg

#### Notes :

Sujet à changement sans preavis.  
Poids et dimensions sont approximatifs.

#### ⚠ WARNING

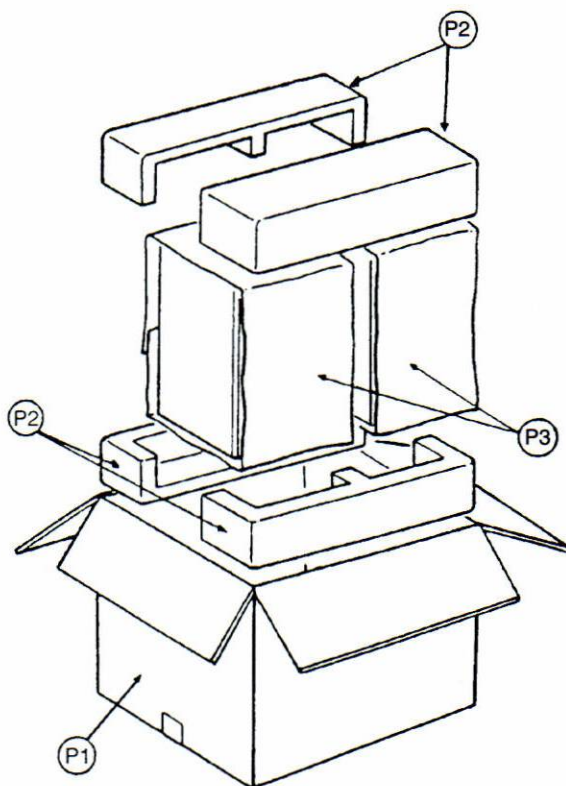
This service information is designed for experience repair technicians only and is not designed for use by the general public. It does not contain warnings or cautions to advise non-technical individuals of potential dangers in attempting to service a product. Products powered by electricity should be serviced or repaired only by experienced professional technicians. Any attempt to service or repair the product or products dealt with in this service information by anyone else could result in serious injury or death.

# Technics®

© 1998 Panasonic Spain.  
All rights reserved. Unauthorized copying and distribution is a violation of law.

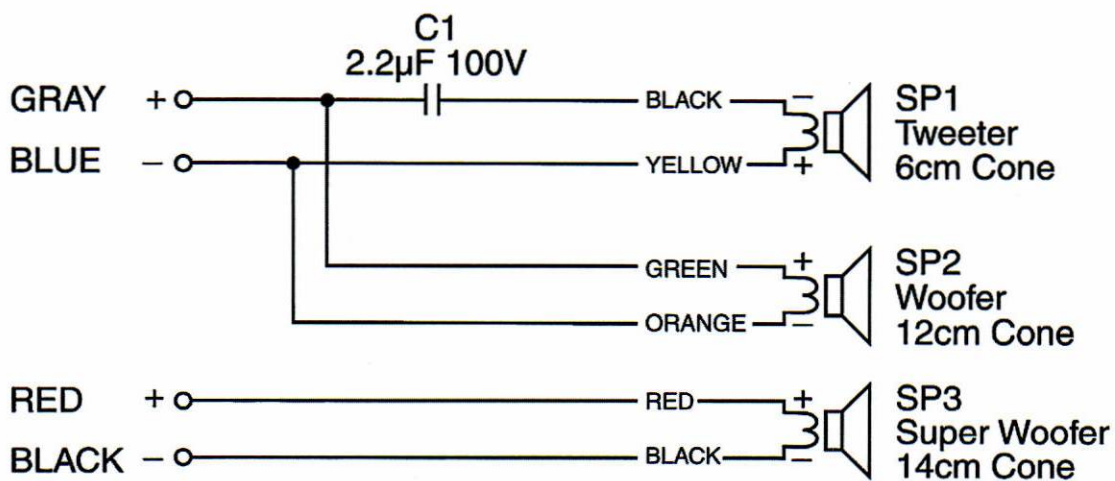


■ PACKAGING



■ Schematic Diagram

This schematic diagram may be modified at any time with development of new technology.





## ■ Replacement Parts List

- Notes 1. Part numbers are indicated on most mechanical parts. Please use this part number for parts orders.  
 2. MAES indicates parts that are supplied by MAES.
- Nota 1. El código está indicado en la mayoría de las piezas. Por favor use este código para sus pedidos.  
 2. La indicación MAES significa recambios suministrados a través de MAES.

Ref. No.	Part No.	Part Name & Description	Remarks	Ref. No.	Part No.	Part Name & Description	Remarks
		<b>CABINET AND CHASSIS</b>					
1	RYK0919-M	CABINET ASS , Y	[MAES]	SP2	EASJ12P27A3	WOOFER	[MAES]
1-1	RKA0072 -K	LEGS	[MAES]	SP3	EAS14PL317L3	SUPER - WOOFER	[MAES]
2	RYQ0266-S	ORNAMENT TW	[MAES]			<b>SCREW(S)</b>	
3	RGP0734-S	FRONT PANEL	[MAES]	N1	XTB31BZ+8	SCREW ORNAMENT TW	[MAES]
4	RYB0216	NET FRAME	[MAES]	N2	XTNP42+20	SCREW FOR F. PANEL	[MAES]
5	RYQ0264-H	ORNAMENT WOOFER.	[MAES]	N 3	XTNP42+20 FG	SCREW B. TERMINAL	[MAES]
6	SWXPEH600	CABLE SUPER WOOFER	[MAES]	N 4	XTN42+20FG	SCREW BASS REFLEX	[MAES]
7	REE0903	CAPACITOR ASS'Y	[MAES]	N 5	XTN42+25	SCREW TWEETER	[MAES]
8	RMQ0684A	GASKET FOR WOOFER	[MAES]	N 6	XTN42+32	SCREW WOOFER	[MAES]
9	RMQ0880	GASKET FOR BACKCAVITY	[MAES]	N 7	XTN42+16	SCREW SUPER WOOFER	[MAES]
10	RMR1233-K	BACK CAVITY	[MAES]	N 8	SNES4+40FG	SCREW ORNAMENT W.	[MAES]
11	RKTP0029-K	BASS REFLEX	[MAES]			<b>CAPACITOR ( S )</b>	
12	RJH5411-1	BASE TERMINAL	[MAES]	C 1	ECEA1HAY2R2	CAPACITOR 2,2 $\mu$ F	[MAES]
13	SHG8G9044	NET HOLDER	[MAES]			<b>PACKING MATERIALS</b>	
14	SHGS8G9071	CORD BUSH	[MAES]	P1	RPG4381	CARTON BOX	[MAES]
		<b>SPEAKER (S)</b>		P2	RPN1198A	PAD UP/DOWN	[MAES]
SP1	EASJ6PH03B3	TWEETER	[MAES]	P3	SPH8G415	SHEET	[MAES]